



Acoustic performance
up to 56 dB



Profile width
106 mm



Profile height
35 mm



Wall height
3500 mm

The **ESPES 100** double-glazed partition system is a perfect solution for office premises that require a **high level of acoustic performance**.



The system is characterized by a wide array of acoustic variants (up to $R_w=56\text{dB}$) allowing for precise adjustment to various design requirements

In various versions of sound insulation, the system maintains coherent esthetics, allowing smooth transitions between rooms with different parameters

The profile is available in the full RAL palette – just like every ESPES system

Glass walls can be complemented with an intelligent Lumi foil with variable translucency.



certified by:

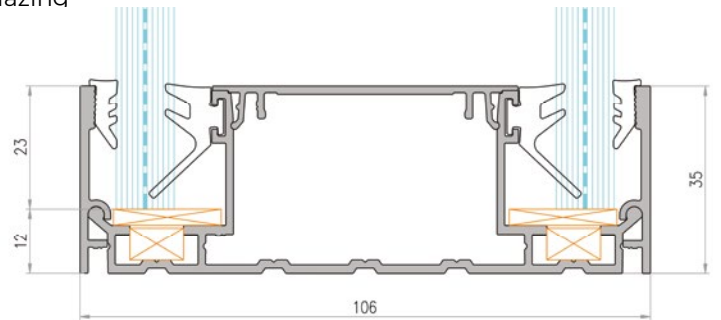
Sound insulation

GLASS	Rw (dB)	C (dB)	Ra1 (dB)
VSG 44.2 + VSG 55.2	43	-1	42
VSG 44.2 + VSG 66.2	44	-1	43
VSG 44.2 + VSG 66.2 Si	47	-2	45
VSG 55.2 + VSG 66.2	50	-2	48
VSG 66.2 Si + VSG 88.2 Si*	53	-2	51
VSG 66.2 Si + VSG 88.2 Si**	56	-2	54

*Acoustic insert along the perimeter

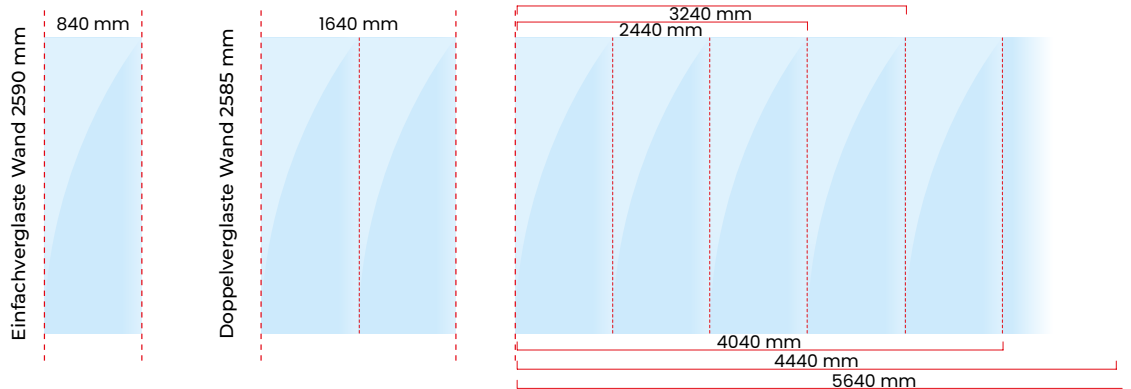
**Acoustic insert along the perimeter and on the joints of the glazing

Cross-section of the system



espes
ZeroWaste

With wall dimensions presented on the right, it is possible to fully **reduce waste** during production.



Doors for ESPES 100

PARAMETERS	Doors in HR aluminum frame	All-glass doors	Solid doors
Rw acoustic rating	36 / 37 / 38 / 39 / 40 / 44 dB	24 / 32 / 38 dB	39 dB
Ra1 acoustic rating	35 / 36 / 37 / 38 / 39 / 42 dB	24 / 30 / 37 dB	38 dB
Max. height	3000 mm	2700 mm	2700 mm
Sliding variant	✓	✓	✗
Access control	✓	✓	✓
Concealed hinges	✓	✗	✓
Concealed door closers	✓	✗	✓
Lumi foil	✓	✓	✗