



Acoustic performance
43 dB



Profile width
80 mm



Profile height
35 mm



Wall height
3500 mm

The **ESPES 80** double-glazed partition system features a **slim and lightweight design**, creating the feel of an open space while maintaining the acoustic performance.

The slim and esthetic ESPES 80 system is a perfect solution for modern interiors, allowing for high daylight transmission

Walls are available in sizes that allow for a complete reduction of glass waste – just as in the case of other ESPES systems

The profile is available in RAL colors, in various anodized tones and a wood-effect finish – just like every ESPES system

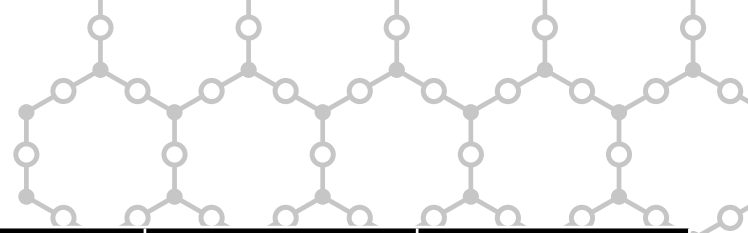
Glass walls can be complemented with an intelligent Lumi foil with variable translucency.



certified by:

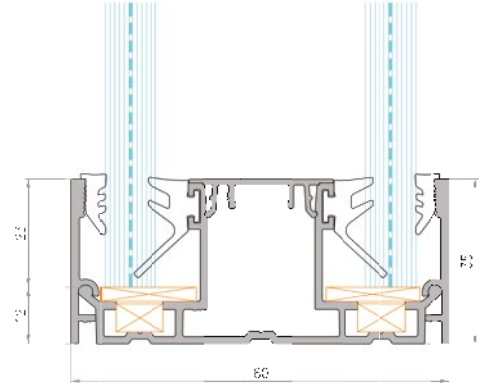


Sound insulation



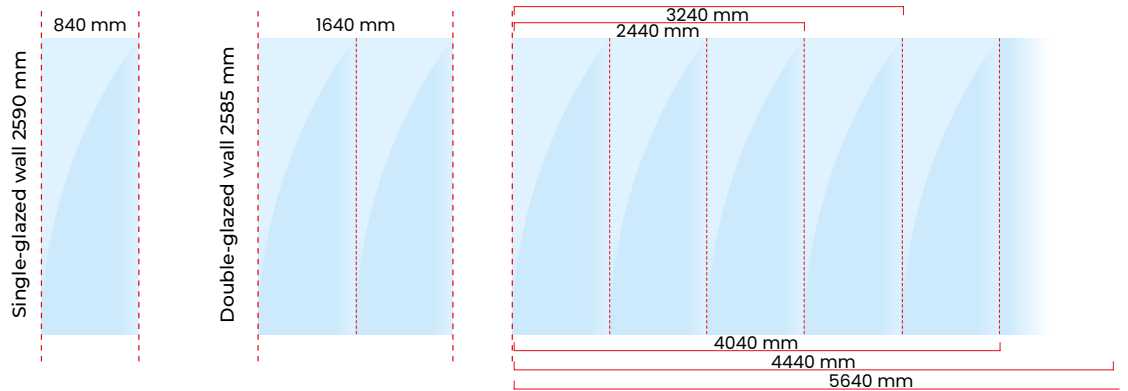
GLASS	Rw (dB)	C (dB)	Ra1 (dB)
VSG 55.2 + VSG 66.2	43	-1	42

Cross-section of the system



espes
ZeroWaste

With wall dimensions presented on the right, it is possible to fully **reduce waste** during production.



Doors for ESPES 80

PARAMETERS	Doors in HR aluminum frame	All-glass doors	Solid doors
Rw acoustic rating	36 / 37 / 38 / 39 / 40 / 44 dB	24 / 32 / 38 dB	39 dB
Ra1 acoustic rating	35 / 36 / 37 / 38 / 39 / 42 dB	24 / 30 / 37 dB	38 dB
Max. height	3000 mm	2700 mm	2700 mm
Sliding variant	✓	✓	✗
Access control	✓	✓	✓
Concealed hinges	✓	✗	✓
Concealed door closers	✓	✗	✓
Lumi foil	✓	✓	✗