



Acoustic performance  
up to 40 dB



Profile width  
28 mm



Profile height  
35 mm



Wall height  
3500 mm

The **ESPES 30** partition system is a lightweight, single-glazed construction offering excellent acoustic performance – **a perfect solution for openspace office environments**, suitable for any style of the interior.



High daylight transmission thanks to the maximum transparency of the wall and the acoustic connector

Thanks to  $R_{a1} = 40\text{dB}$ , the single-glazed ESPES 30 system is a valuable alternative to double-glazed systems

The design allows for interesting solutions such as curved glass – just like in every ESPES system

Walls can be complemented with an intelligent Lumi foil with variable translucency.

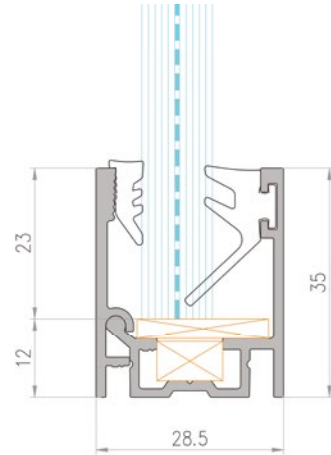


certified by:

# Sound insulation

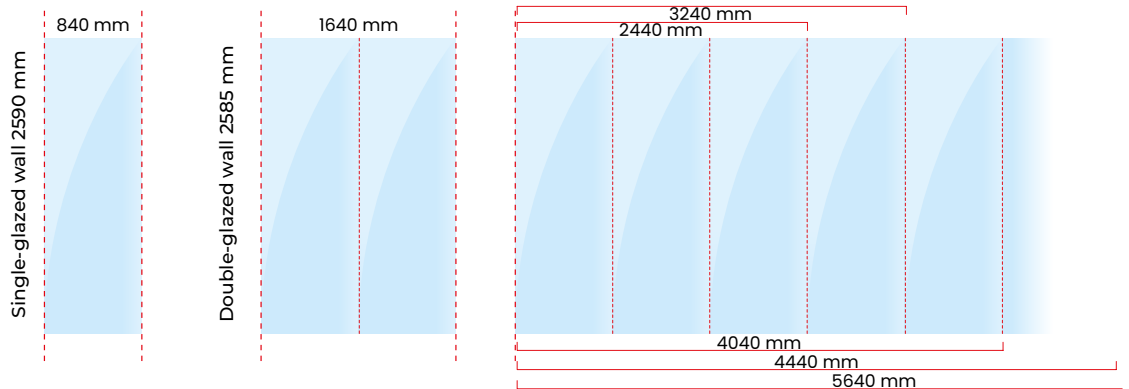
GLASS	Rw (dB)	C (dB)	Ra1 (dB)
VSG 55.2	36	-1	35
VSG 66.2	37	-1	36
VSG 66.2 Si	39	-1	38
VSG 88.2 Si	40	0	40

## Cross-section of the system



**espes**  
**ZeroWaste**

With wall dimensions presented on the right, it is possible to fully **reduce waste** during production.



## Doors for ESPES 30

PARAMETER	Doors in HR aluminum frame	All-glass doors	Solid doors
Rw acoustic rating	36 / 37 / 38 / 39 / 40 / 44 dB	24 / 32 / 38 dB	39 dB
Ra1 acoustic rating	35 / 36 / 37 / 38 / 39 / 42 dB	24 / 30 / 37 dB	38 dB
Max. height	3000 mm	2700 mm	2700 mm
Sliding variant	✓	✓	✗
Access control	✓	✓	✓
Concealed hinges	✓	✗	✓
Concealed door closers	✓	✗	✓
Lumi foil	✓	✓	✗



Acoustic performance  
up to 40 dB



Profile width  
28 mm



Profile height  
35 mm



Wall height  
up to 3500 mm

**ESPES 30 Factory** is a single-glazed, lightweight wall system with decorative muntins in an **industrial style**, that offers high acoustic insulation.



Ra1 = 40 dB makes the ESPES 30 Factory system a real alternative to double-glazed systems

The arrangement of muntins can be adapted to the interior's style: vertical, horizontal, or both vertical and horizontal muntins

The system allows a high level of customization – muntins available in any RAL color

Walls can be complemented with an intelligent Lumi foil with variable translucency



certified by:

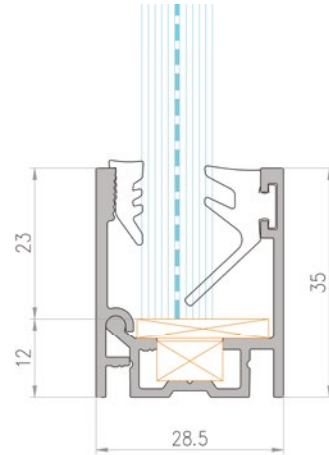


**WE CREATE SPACE**

# Sound insulation

GLASS	Rw (dB)	C (dB)	Ra1 (dB)
VSG 55.2	36	-1	35
VSG 66.2	37	-1	36
VSG 66.2 Si	39	-1	38
VSG 88.2 Si	40	0	40

# Cross-section of the system



# Doors for ESPES 30 Factory

PARAMETERS	Doors in HR aluminum frame	All-glass doors	Solid doors
Rw acoustic rating	36 / 37 / 38 / 39 / 40 / 44 dB	24 / 32 / 38 dB	39 dB
Ra1 acoustic rating	35 / 36 / 37 / 38 / 39 / 42 dB	24 / 30 / 37 dB	38 dB
Max. height	3000 mm	2700 mm	2700 mm
Sliding variant	✓	✓	✗
Access control	✓	✓	✓
Concealed hinges	✓	✗	✓
Concealed door closers	✓	✗	✓
Lumi foil	✓	✓	✗





Acoustic performance  
43 dB



Profile width  
80 mm



Profile height  
35 mm



Wall height  
3500 mm

The **ESPES 80** double-glazed partition system features a **slim and lightweight design**, creating the feel of an open space while maintaining the acoustic performance.

The slim and esthetic ESPES 80 system is a perfect solution for modern interiors, allowing for high daylight transmission

Walls are available in sizes that allow for a complete reduction of glass waste – just as in the case of other ESPES systems

The profile is available in RAL colors, in various anodized tones and a wood-effect finish – just like every ESPES system

Glass walls can be complemented with an intelligent Lumi foil with variable translucency.

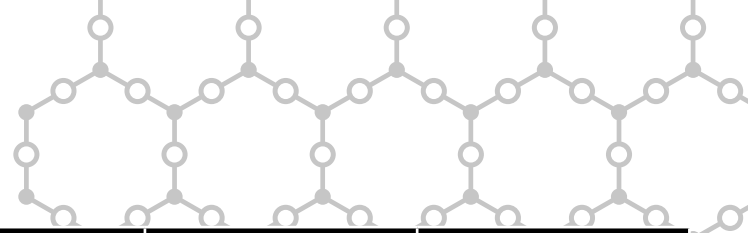


certified by:



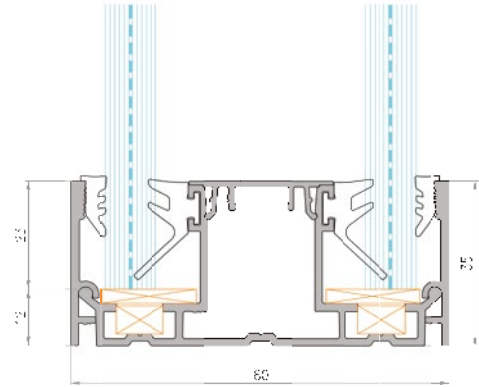
**WE CREATE SPACE**

# Sound insulation



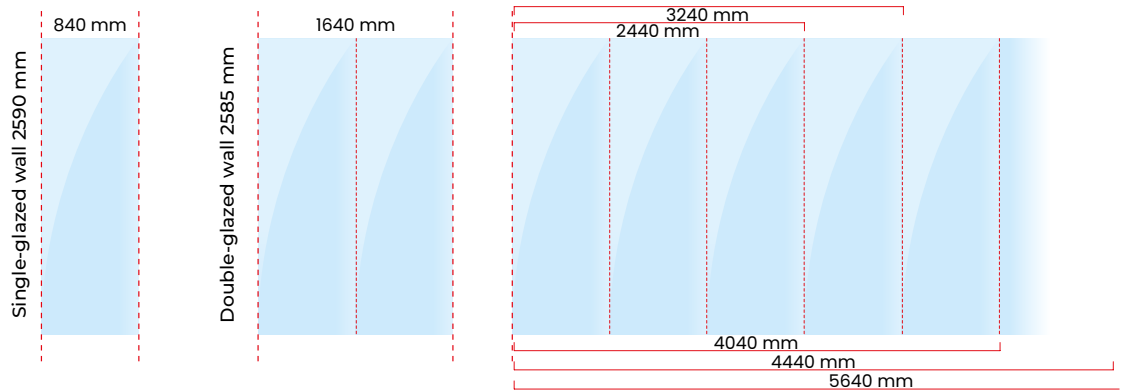
GLASS	Rw (dB)	C (dB)	Ra1 (dB)
VSG 55.2 + VSG 66.2	43	-1	42

## Cross-section of the system



**espes**  
**ZeroWaste**

With wall dimensions presented on the right, it is possible to fully **reduce waste** during production.



## Doors for ESPES 80

PARAMETERS	Doors in HR aluminum frame	All-glass doors	Solid doors
Rw acoustic rating	36 / 37 / 38 / 39 / 40 / 44 dB	24 / 32 / 38 dB	39 dB
Ra1 acoustic rating	35 / 36 / 37 / 38 / 39 / 42 dB	24 / 30 / 37 dB	38 dB
Max. height	3000 mm	2700 mm	2700 mm
Sliding variant	✓	✓	✗
Access control	✓	✓	✓
Concealed hinges	✓	✗	✓
Concealed door closers	✓	✗	✓
Lumi foil	✓	✓	✗



Acoustic performance  
up to 56 dB



Profile width  
106 mm



Profile height  
35 mm



Wall height  
3500 mm

The **ESPES 100** double-glazed partition system is a perfect solution for office premises that require a **high level of acoustic performance**.



The system is characterized by a wide array of acoustic variants (up to  $R_w=56\text{dB}$ ) allowing for precise adjustment to various design requirements

In various versions of sound insulation, the system maintains coherent esthetics, allowing smooth transitions between rooms with different parameters

The profile is available in the full RAL palette – just like every ESPES system

Glass walls can be complemented with an intelligent Lumi foil with variable translucency.



certified by:



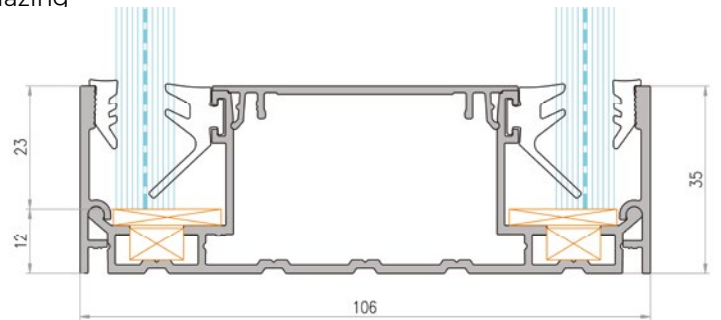
# Sound insulation

GLASS	Rw (dB)	C (dB)	Ra1 (dB)
VSG 44.2 + VSG 55.2	43	-1	42
VSG 44.2 + VSG 66.2	44	-1	43
VSG 44.2 + VSG 66.2 Si	47	-2	45
VSG 55.2 + VSG 66.2	50	-2	48
VSG 66.2 Si + VSG 88.2 Si*	53	-2	51
VSG 66.2 Si + VSG 88.2 Si**	56	-2	54

\*Acoustic insert along the perimeter

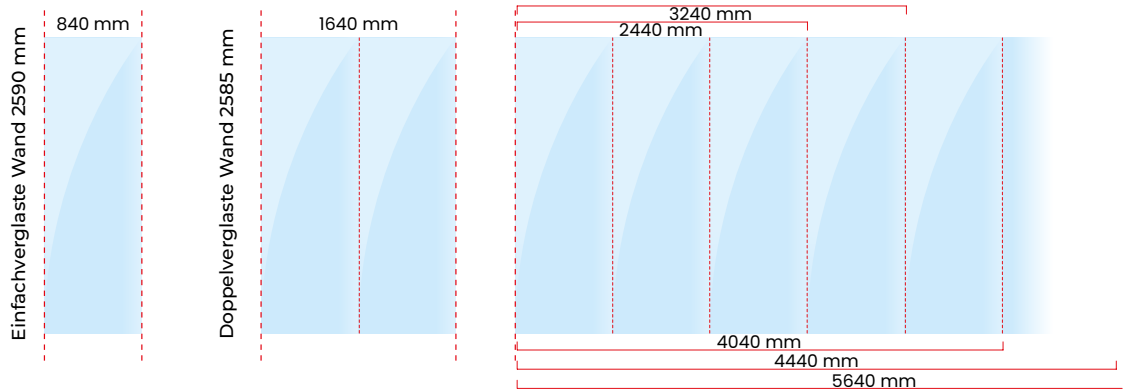
\*\*Acoustic insert along the perimeter and on the joints of the glazing

## Cross-section of the system



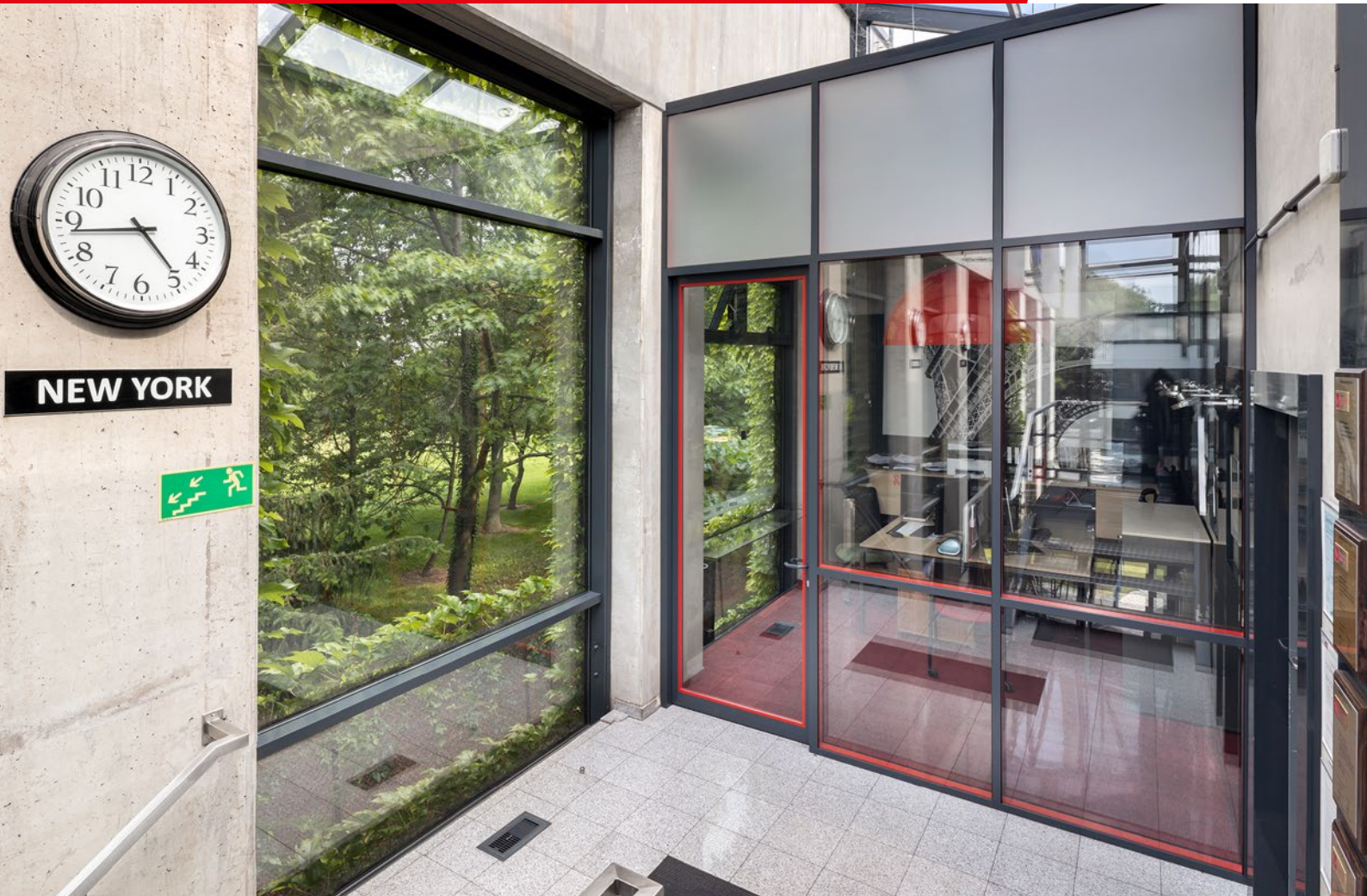
**espes**  
**ZeroWaste**

With wall dimensions presented on the right, it is possible to fully **reduce waste** during production.



## Doors for ESPES 100

PARAMETERS	Doors in HR aluminum frame	All-glass doors	Solid doors
Rw acoustic rating	36 / 37 / 38 / 39 / 40 / 44 dB	24 / 32 / 38 dB	39 dB
Ra1 acoustic rating	35 / 36 / 37 / 38 / 39 / 42 dB	24 / 30 / 37 dB	38 dB
Max. height	3000 mm	2700 mm	2700 mm
Sliding variant	✓	✓	✗
Access control	✓	✓	✓
Concealed hinges	✓	✗	✓
Concealed door closers	✓	✗	✓
Lumi foil	✓	✓	✗



Acoustic performance:  
up to 51 dB



Profile width:  
106 mm



Profile depth:  
35 mm



Wall height:  
up to 6000 mm

Designed for demanding manufacturing and technical facilities, the **ESPES 100 Factory system** also suits office spaces. Made for **dividing areas with different functions**.



The system offers exceptional adaptability to design requirements, allowing for the use of solid, glazed, or mixed infill panels — including combinations of full and glass sections.

Up to 6000 mm – maximum wall height of the ESPES 100 Factory system.

The mullion arrangement can be customised to suit any project — with horizontal and vertical divisions in various configurations.

Available infill options include: MDF boards, veneered panels, laminated or lacquered panels, plasterboard with sheet metal cladding — all in any RAL colour



certified by:

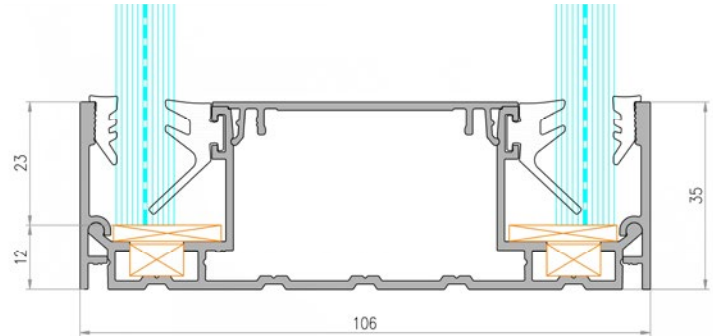


**WE CREATE SPACE**

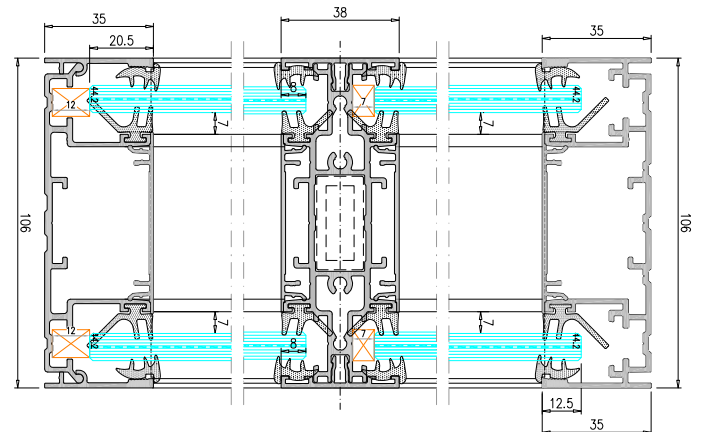
## Sound insulation

GLASS	Rw (dB)	C (dB)	Ra1 (dB)
VSG. 44.2 + 66.2	48	-1	47
VSG. 55.2 + 66.2	49	-1	48
VSG. 55.2 Si + 66.2	50	-1	49
VSG. 55.2 Si + 66.2 Si	51	-1	50
GLASS + PLASTERBOARD PANEL	Rw (dB)	C (dB)	Ra1 (dB)
VSG. 44.2 + 44.2 + GWB with mineral wool	47	-1	46

## System Cross-Section



## Mullion Cross-Section



## Doors for ESPES 100 Factory System

PARAMETERS	Doors in HR aluminum frame	All-glass doors	Solid doors
Rw acoustic rating	36 / 37 / 38 / 39 / 40 / 44 dB	24 / 32 / 38 dB	39 dB
Ra1 acoustic rating	35 / 36 / 37 / 38 / 39 / 42 dB	24 / 30 / 37 dB	38 dB
Max. height	3000 mm	2700 mm	2700 mm
Sliding variant	✓	✓	✗
Access control	✓	✓	✓
Concealed hinges	✓	✗	✓
Concealed door closers	✓	✗	✓
Lumi foil	✓	✓	✗



Acoustic performance  
up to 60 dB



Profile width  
131 mm



Profile height  
35 mm



Wall height  
up to 3500 mm

The **ESPES 125** double-glazed partition system is an innovation that sets the **new standard of sound insulation**. A perfect solution for environments that require maximum silence.

Rw = 60 dB is the highest level of sound insulation of glass walls in office spaces in Poland

Thanks to advanced technology, ESPES 125 guarantees silence and privacy, even in the most demanding conditions

The system is compatible with any doors available in our offer – just like any ESPES system

Glass walls can be complemented with an intelligent Lumi foil with variable translucency.



certified by:

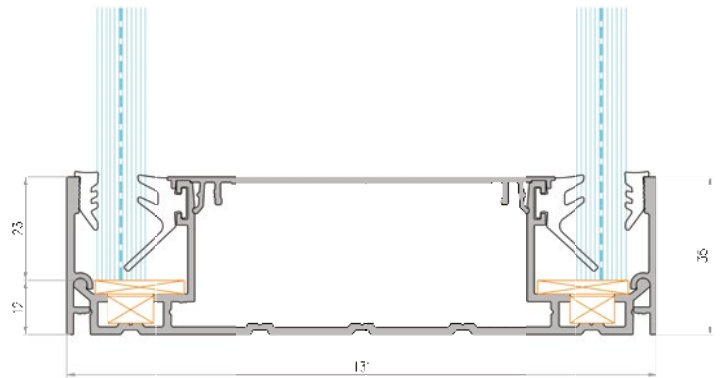
# Sound insulation

GLASS	Rw (dB)	C (dB)	Ra1 (dB)
VSG 44.2 + VSG 66.2	45	-2	43
VSG 44.2 + VSG 66.2*	51	-2	49
VSG 66.2 Si + VSG 88.2 Si*	57	-2	55
VSG 66.2 Si + VSG 88.2 Si**	60	-2	58

\*Acoustic insert along the perimeter

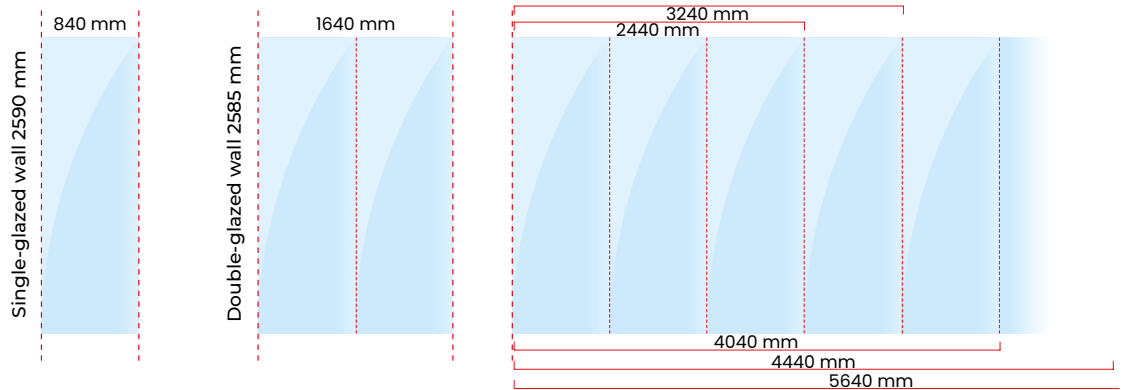
\*\*Acoustic insert along the perimeter and on the joints of the glazing

## Cross-section of the system



**espes**  
**ZeroWaste**

With wall dimensions presented on the right, it is possible to fully **reduce waste** during production.



## Doors for ESPES 125

PARAMETERS	Doors in HR aluminum frame	All-glass doors	Solid doors
Rw acoustic rating	36 / 37 / 38 / 39 / 40 / 44 dB	24 / 32 / 38 dB	39 dB
Ra1 acoustic rating	35 / 36 / 37 / 38 / 39 / 42 dB	24 / 30 / 37 dB	38 dB
Max. height	3000 mm	2700 mm	2700 mm
Sliding variant	✓	✓	✗
Access control	✓	✓	✓
Concealed hinges	✓	✗	✓
Concealed door closers	✓	✗	✓
Lumi foil	✓	✓	✗